

A12B05HTBW00

AC axial fans

> CONTACT US



Axial fans provide forced-air cooling solution to temperature-sensitive applications. Compact fans with AC shaded pole or capacitor and DC brushless motor are designed for ventilation and spot cooling of internal machinery components, especially in areas in confined spaces. Available also versions tested to withstand harsh environmental conditions (IP55, IP68, all metal and HTR fans).

Technical data		
APPROVALS		
Approvals	CE	
PERFORMANCE		
Max Airflow	141/165 83/97	m ³ /h CFM
Max Static Pressure	62/77 0.25/0.31	Pa in H ₂ O
RPM	2550/2800 RPM	
ELECTRICAL DATA		
Rated Voltage	24	V a.c.
Rated Current	0.8/0.77	A
Rated Power	14/14	W
Operating Voltage	19-26	V a.c.
Frequency	50/60	Hz
Insulation Class	A	
Motor Protection	Impedance Protected	
MECHANICAL DATA		
Bearing	Ball Bearing	
GENERIC DATA		
Casing Material	Die-Casting Aluminium	
Airflow Direction	Air exhaust over brackets	
Electrical Connection	Fast-On 3x0,5mm	

Image is for illustrative purpose only. All specifications, data and drawing are subject to change without notice. Please refer to our terms of sales including our warranty and limited liabilities clauses.

A12B05HTBW00

AC axial fans

> CONTACT US

VENTILATION SYSTEMS

Technical data		
Life Expectancy	57000	h at 25 °C
	57000	h at 77 °F
Fan Noise	45/48	dB(A)
Fixing System	Screws	
ENVIRONMENTAL AND THERMAL DATA		
IP Protection Degree	IP20	
Operating Temperature	-10÷60	°C
	14÷140	°F

Image is for illustrative purpose only. All specifications, data and drawing are subject to change without notice. Please refer to our terms of sales including our warranty and limited liabilities clauses.

A12B05HTBW00

AC axial fans

> CONTACT US

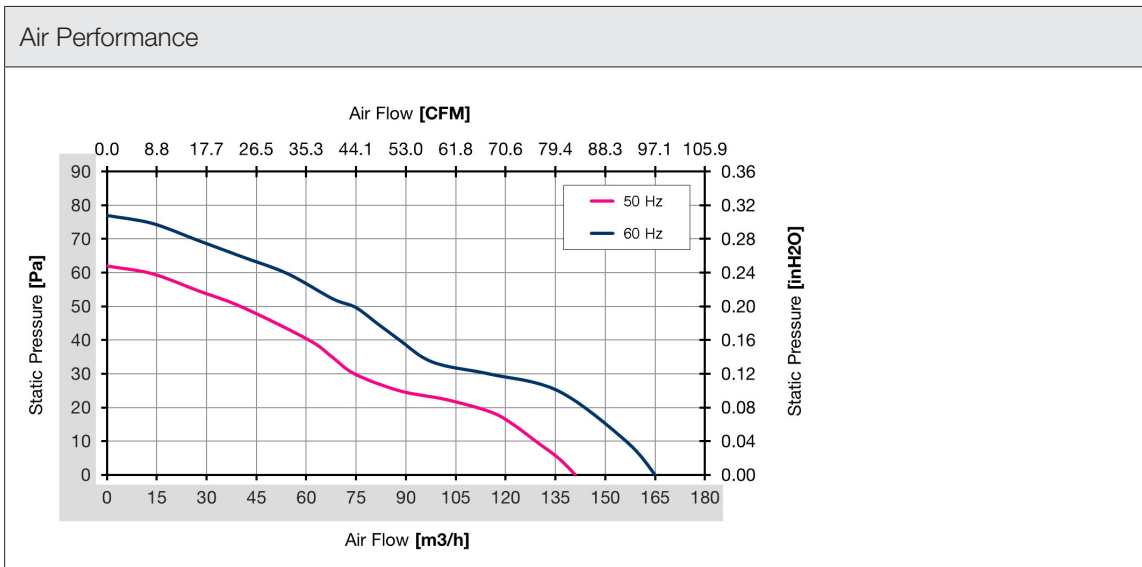
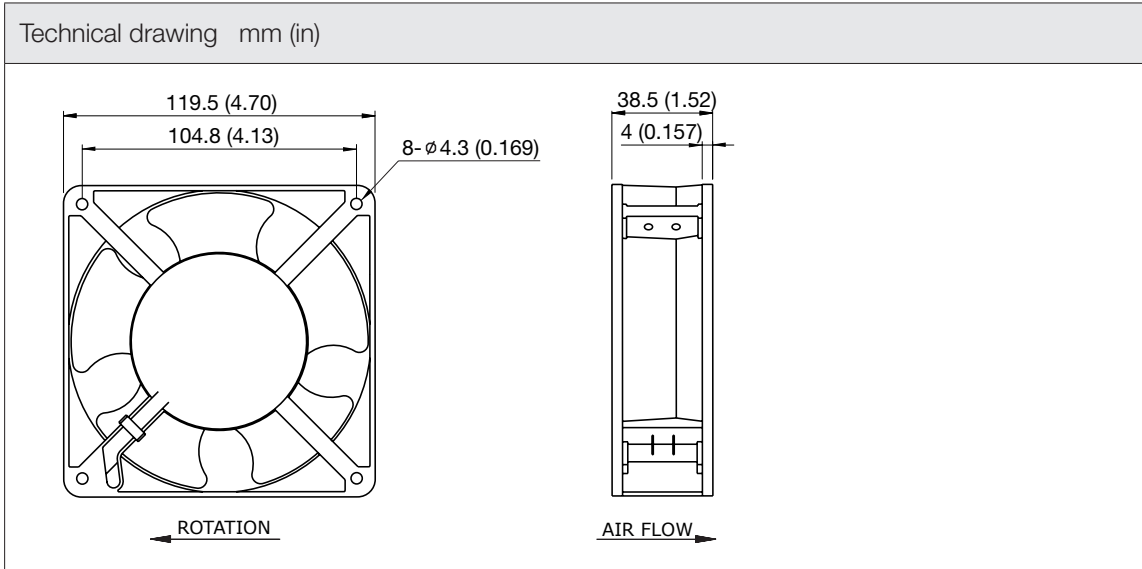


Image is for illustrative purpose only. All specifications, data and drawing are subject to change without notice. Please refer to our terms of sales including our warranty and limited liabilities clauses.