

C25S40HKBE00

AC axial fans

> CONTACT US



Axial fans provide forced-air cooling solution to temperature-sensitive applications. Compact fans with AC shaded pole or capacitor and DC brushless motor are designed for ventilation and spot cooling of internal machinery components, especially in areas in confined spaces. Available also versions tested to withstand harsh environmental conditions (IP55, IP68, all metal and HTR fans).

Technical data		
APPROVALS		
Approvals	CE; UKCA	
PERFORMANCE		
Max Airflow	1540/1680 906/989	m³/h CFM
Max Static Pressure	280/275 1.12/1.10	Pa in H2O
RPM	2635/2840	RPM
ELECTRICAL DATA		
Rated Voltage	400	V a.c. 3 ~
Rated Current	0.19/0.21	A
Rated Power	86/117	W
Operating Voltage	360-440	V a.c.
Frequency	50/60	Hz
Appliance Class	I	
Insulation Class	F	
MECHANICAL DATA		
Bearing	Ball Bearing	
GENERIC DATA		
Casing Material	Die-Casting Aluminium	
Airflow Direction	Air exhaust over brackets	
Electrical Connection	Screwless Terminal Block	

Image is for illustrative purpose only. All specifications, data and drawing are subject to change without notice. Please refer to our terms of sales including our warranty and limited liabilities clauses.

C25S40HKBE00

AC axial fans

> CONTACT US

VENTILATION SYSTEMS

Technical data		
Life Expectancy	80000	h at 25 °C
	80000	h at 77 °F
Fan Noise	69/72	dB(A)
Fixing System	Screws	
ENVIRONMENTAL AND THERMAL DATA		
IP Protection Degree	IP20	
Operating Temperature	-20÷70	°C
	-4÷158	°F
Storage Temperature	-20÷70	°C
	-4÷158	°F

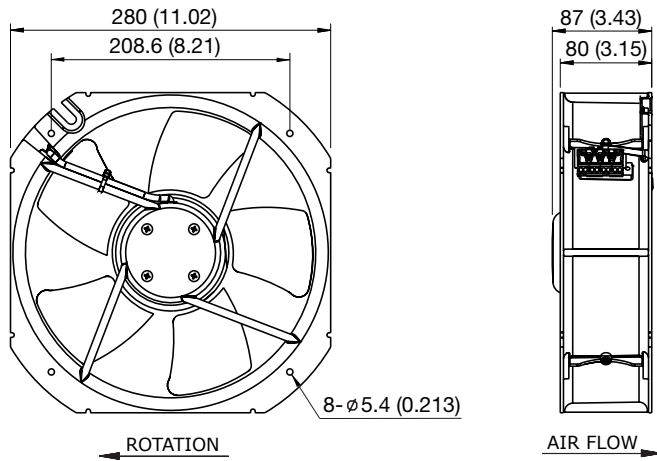
Image is for illustrative purpose only. All specifications, data and drawing are subject to change without notice. Please refer to our terms of sales including our warranty and limited liabilities clauses.

C25S40HKBE00

AC axial fans

> CONTACT US

Technical drawing mm (in)



Air Performance

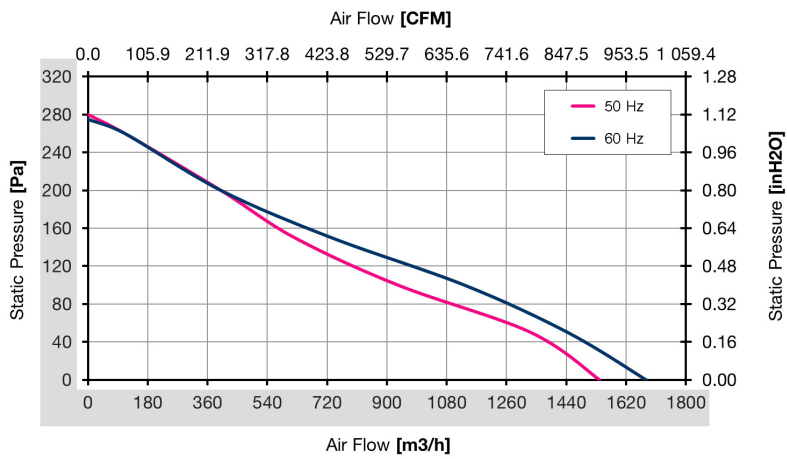


Image is for illustrative purpose only. All specifications, data and drawing are subject to change without notice. Please refer to our terms of sales including our warranty and limited liabilities clauses.