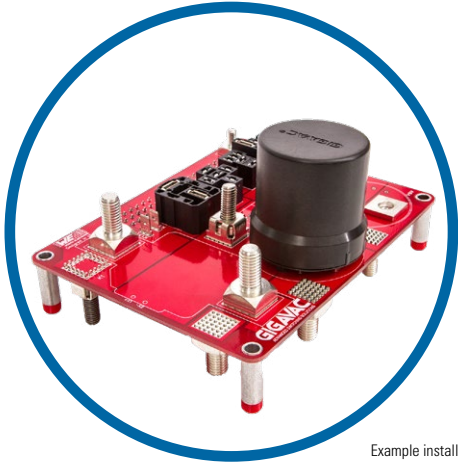




GV22 Series

200+ AMP 800 VDC CONTACTOR



Example installation shown.
PCB not included.

Features

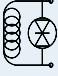
- PCB mountable option allows lowest cost OEM solution by eliminating need for cables, wires and connector.
- Hermetically Sealed – Designed to meet: UL1604 for Class I & II, Div 2 and Class III for use in hazardous locations, IP67 for temporary water immersion for 30 min, SAE J1171 - external ignition protection, and ISO8846 for protection against ignition around flammable gasses.
- Meets CE Conformance standards.
- Built-in coil suppression for all DC coils – Saves you engineering time and parts cost to add external coil suppression.
- Stainless steel hardware and brass mounting inserts, for years of corrosion free service.
- Not position sensitive – can be mounted in any position for ease of installation.



SPECIFICATIONS

Specifications		Units	Data
Rated Voltage		V	800
Contact Arrangement	Main	Form X	SPST-NO
	Auxiliary ¹	Form A or B	SPST-NO or SPST-NC
Mechanical Life		cycles	1,000,000
Contact Resistance	Max	mohms	0.4
	Typical	mohms	0.3
Insulation Resistance ²		Mohms	100
Dielectric at sea level (leakage < 1mA)		VRMS	2500
Shock, 1/2 Sine, 11ms	Actuated (closed)	G	35
	Non Actuated (open)	G	25
Vibration, Sinusoidal (10-2000 Hz peak)		G	25
Environmental Seal		Exceeds IP67 & IP69K	
Salt Fog		MIL-STD-810	
Temperature	Operating ambient Temp Range	-55 to +85°C ⁵	
	Storage ambient Temp Range	-70 to +150°C	
Weight, typical	Upright Mount	0.44 kg (0.97 lb)	
	Side Mount	0.45 kg (0.99 lb)	
	PCB Mount	0.38 kg (0.84 lb)	
Packaging		24 units per shipping box 21 in x 18 in x 4 in shipping box	

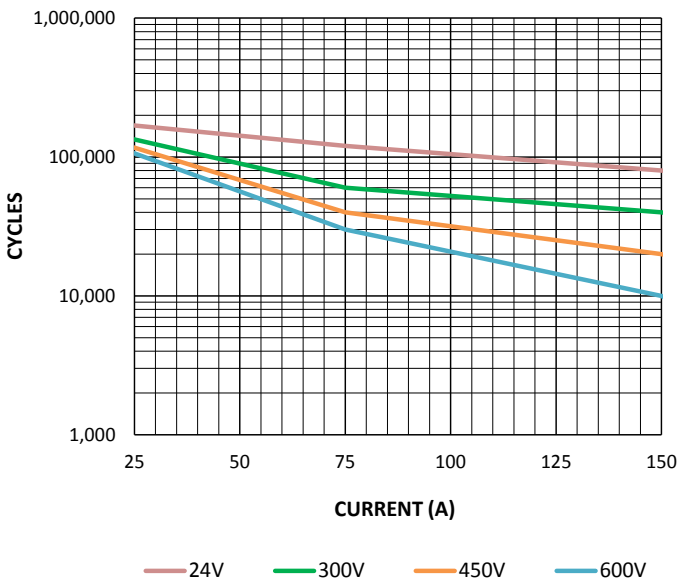
Coil Ratings at 25°C

Coil P/N Designation	B	C	F
Coil Voltage, Nominal (VDC)	12	24	48
Coil Voltage, Max (V)	16	32	64
Pick-Up Voltage, Max (V) ⁶	8	16	28
Drop-Out Voltage, Max (V) ⁶	3	7	10
Drop-Out Voltage, Min (V) ⁶	0.5	0.5	1.8
Coil Current (A) ⁶	0.68	0.28	0.16
Coil Power (W) ⁶	8	6.8	7.6
Operate Time, Max (ms) ³	20	20	30
Release Time, Max (ms)	12	12	12
Internal Coil Suppression	TVS 		
Coil Back EMF (V)	55	55	80



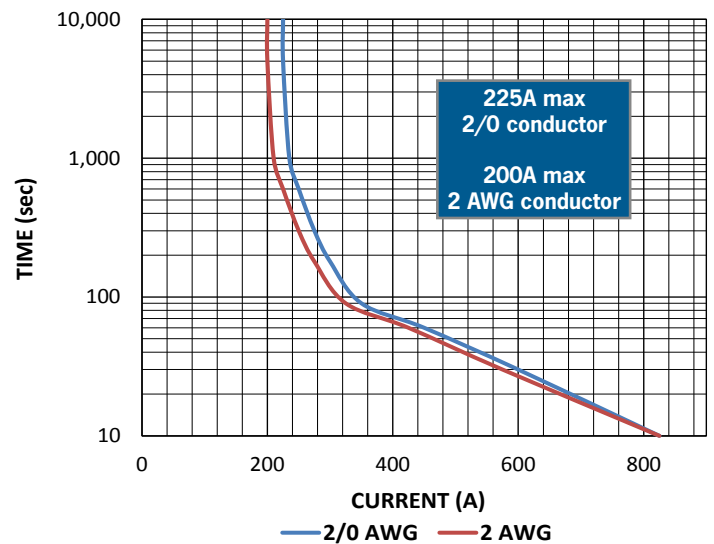
POWER SWITCHING

DC POWER SWITCHING CYCLES⁷

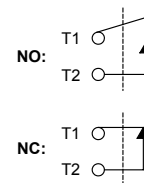


CURRENT CARRY RATINGS

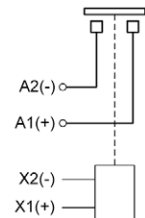
CURRENT CARRY vs TIME with 85°C terminal temperature rise



Auxiliary contacts (optional)



Power Contacts





UPRIGHT MOUNT DIMENSIONS

All dimensions are +/- 0.5mm unless stated otherwise

Upright Mount

Auxiliary Leads

B=SPST-NO
Blue Lead = T1
White Lead = T2
C=SPST-NC
Orange Lead = T1
White Lead = T2

Coil Leads

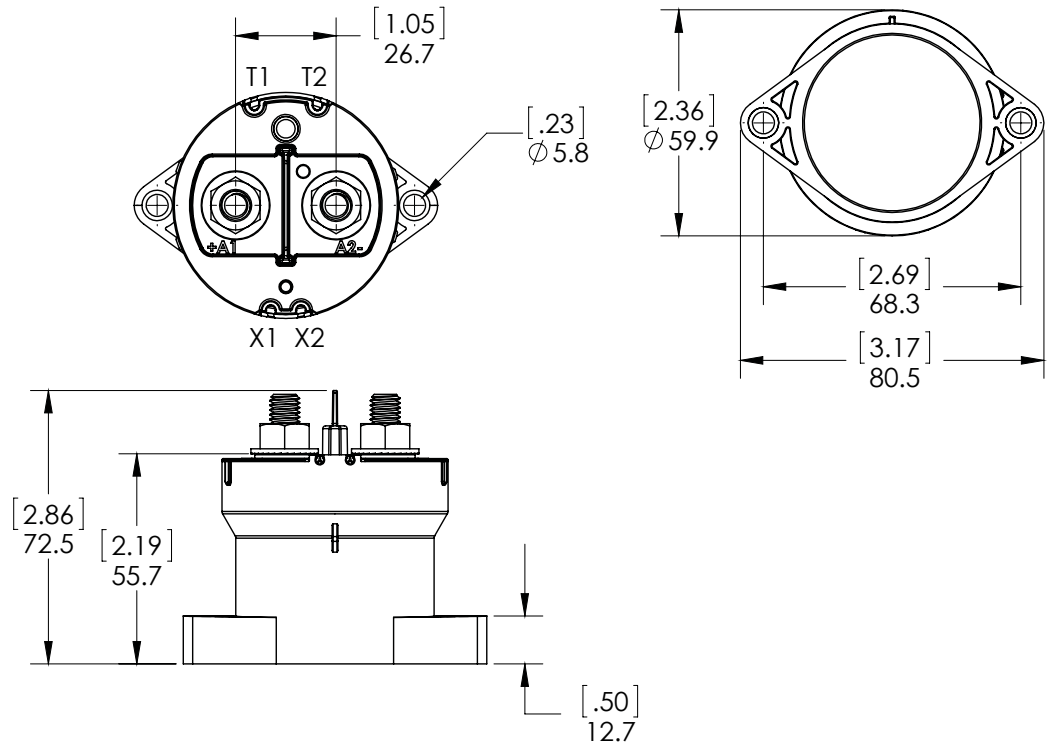
Red Lead = X1(+)
Black Lead = X2(-)

Upright Mounting

M5 or No. 10 Screws
Torque 1.7-4 Nm [15-35 in-lb]

Upright Mount Power Connection

Silver Plated Copper M8x1.25 stud
Stainless M8x1.25 flanged nut
Torque 10 Nm [90 in-lb] max



SIDE MOUNT DIMENSIONS

Auxiliary Leads

B=SPST-NO
Blue Lead = T1
White Lead = T2
C=SPST-NC
Orange Lead = T1
White Lead = T2

Coil Leads

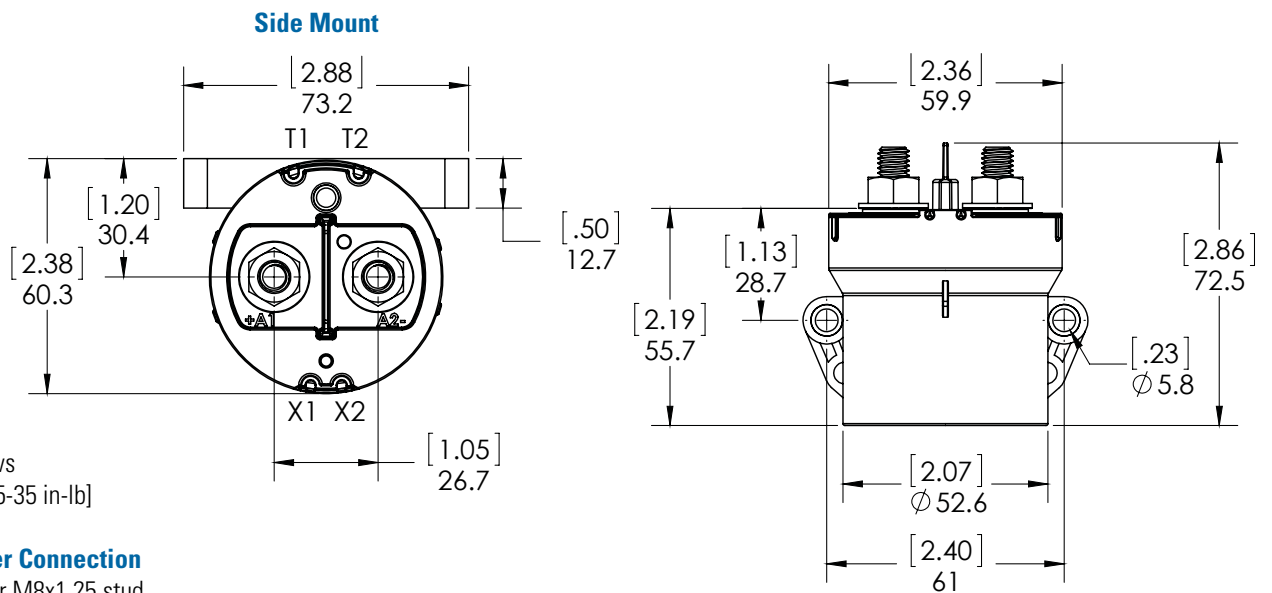
Red Lead = X1(+)
Black Lead = X2(-)

Side Mounting

M5 or No. 10 Screws
Torque 1.7-4 Nm [15-35 in-lb]

Side Mount Power Connection

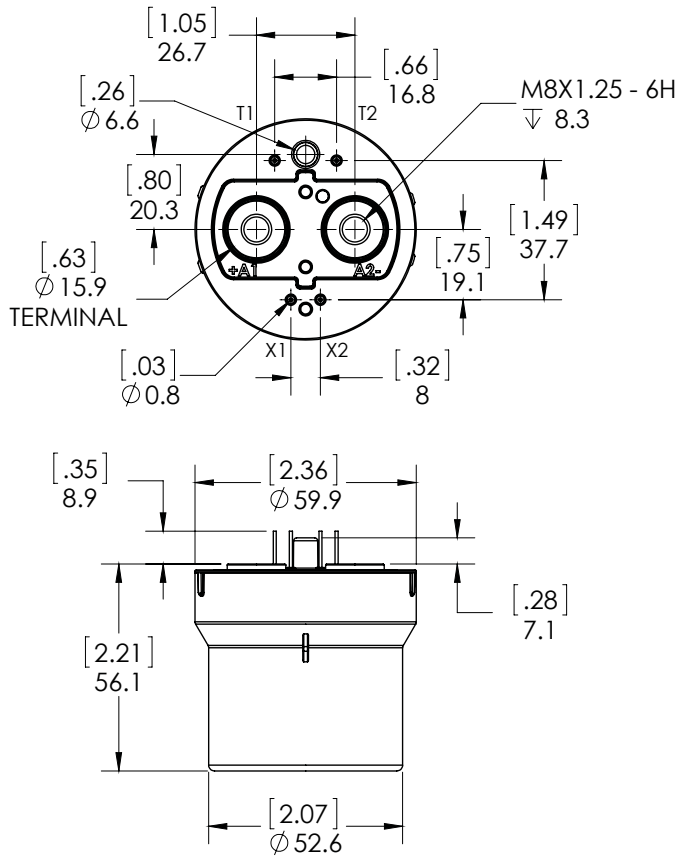
Silver Plated Copper M8x1.25 stud
Stainless M8x1.25 flanged nut
Torque 10 Nm [90 in-lb] max



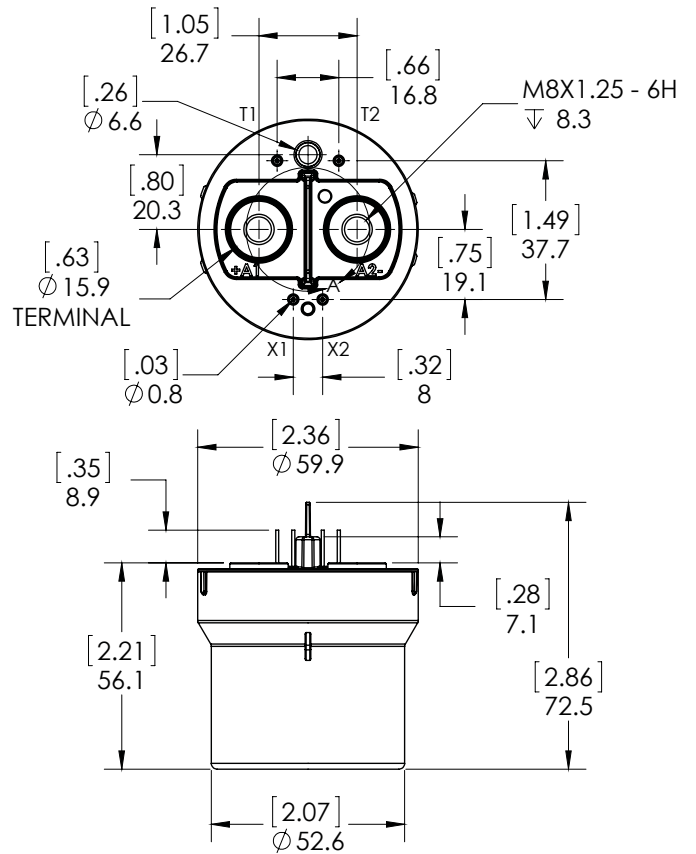


PCB MOUNT DIMENSIONS

PCB Mount



PCB Mount with Barrier

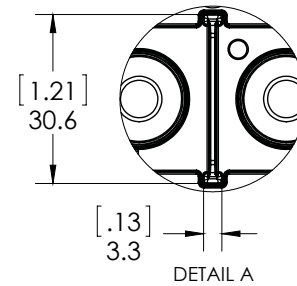


PCB Mounting / Power Connection

M8x1.25 bolt
Torque 10 Nm [90 in-lb] max

PCB Coil and Auxiliary Pin Material

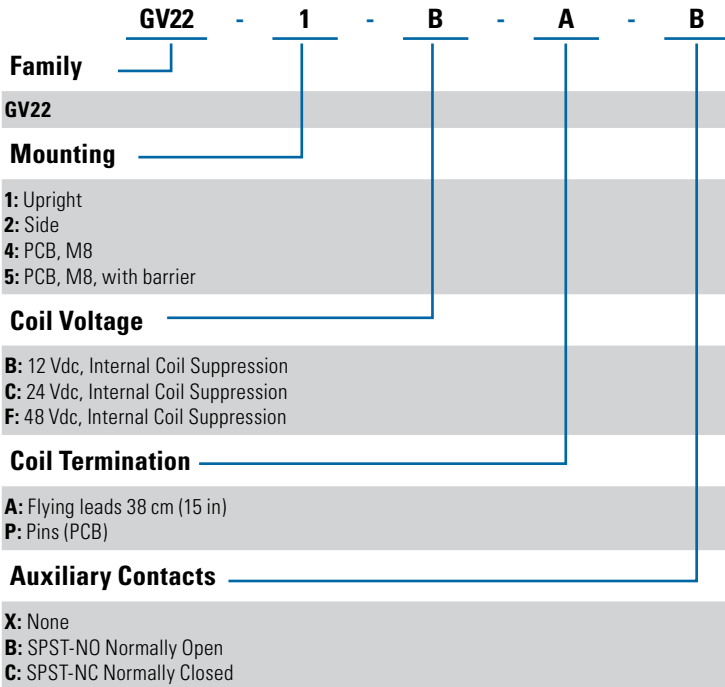
510 Phosphor Bronze, Tin Plated





ORDERING OPTIONS

Example : GV221BAB



GENERAL NOTES

1. Auxillary contact rating is 2A, 24Vdc Resistive load, 100,000 cycles. Minimum current is 0.1mA, 5V. The auxiliary contact is mechanically linked to the main power contacts.
2. Insulation resistance is 50 Mohms at contactor end-of-life.
3. Contactor can operate up to 125°C in special cases - contact GIGAVAC for details.
4. Customer must provide an external economizer that meets the Pick-up Current, Coil Current, and Pick-up Current Time. For detailed information click here Application Note AN-016 or visit www.gigavac.com/application-notes.
5. Because the contactor is operated by a coil that changes resistance with temperature:
6. Maximum coil voltage will be lower than indicated at temperatures above 25°C and higher than indicated at temperatures below 25°C.
7. And because Nominal Coil Voltage has been assumed for the Pick-up Current, Coil Current and Coil Power specifications, Current/Wattage will be lower than indicated at temperatures above 25°C and higher than indicated at temperatures below 25°C.
8. Pick-up Voltage and Drop Out Voltage will be lower than indicated at temperatures below 25°C and higher than indicated at temperatures above 25°C.
9. Contactor has two coils. Both are used for pick-up, and then in approximately 75 milliseconds, one coil is electronically removed from the coil drive circuit. The remaining coil supplies low continuous hold power sufficient for the contactor to meet all of its specified performance specifications. This provides the lowest coil power possible without the use of PWM electronics that have been known to cause EMI emissions and/or cross-talk on your system control power.
10. For Pick-up testing of contactors with dual coils, the voltage can not be ramped up slowly, but must be applied instantly to at least the maximum Pick-up Voltage or Current. Otherwise, the contactor will not pick-up.
11. These DC coils have built-in coil suppression. The use of additional external coil suppression can slow the release time and invalidate the life cycle ratings, or can cause the contactor not to be able to interrupt the maximum current specified. If lower coil back EMF is required, please contact GIGAVAC for assistance.
12. All contact ratings and coil versions may not be UL recognized. Contact GIGAVAC for a copy of the applicable sections of the test report.
13. Operation time is measured at 25°C and includes maximum 7ms bounce.



APPLICATION NOTES

- Contactors feature internal transient voltage suppressor for coil suppression. [No external diodes](#) should be added across the coil.
- Power switching lifecycles are based on [current flow](#) from A1(+) to A2(-). For best breaking performance, the contactor should be installed so that current flows from A1(+) to A2(-). There are cases where the contactor will interrupt power in the opposite direction but please contact GIGAVAC to confirm suitability. Direction of current flow is not relevant during make or when flowing on closed contacts. For bi-directional contactors, please contact GIGAVAC.
- Applications with [capacitors](#) will require a pre-charge circuit.
- Electrical life rating is based on resistive load with 27µH maximum inductance in circuit. Because your application may be different, we suggest you test the contactor in your circuit to verify life is as required.
- End of life is defined as when the dielectric, insulation resistance or contact resistance exceeds the specifications listed.



WARNINGS



RISK OF MATERIAL DAMAGE AND HOT ENCLOSURE

- The product's side panels may be hot, allow the product to cool before touching
- Follow proper mounting instructions including torque values
- Do not allow liquids or foreign objects to enter this product

Failure to follow these instructions can result in serious injury, or equipment damage.



HAZARD OF ELECTRIC SHOCK, EXPLOSION OR ARC FLASH

- Disconnect all power before installing or working with this equipment
- Verify all connections and replace all covers before turning on power

Failure to follow these instructions will result in death or serious injury.

Sensata Technologies, Inc. ("Sensata") data sheets are solely intended to assist designers ("Buyers") who are developing systems that incorporate Sensata products (also referred to herein as "components"). Buyer understands and agrees that Buyer remains responsible for using its independent analysis, evaluation and judgment in designing Buyer's systems and products. Sensata data sheets have been created using standard laboratory conditions and engineering practices. Sensata has not conducted any testing other than that specifically described in the published documentation for a particular data sheet. Sensata may make corrections, enhancements, improvements and other changes to its data sheets or components without notice.

Buyers are authorized to use Sensata data sheets with the Sensata component(s) identified in each particular data sheet. HOWEVER, NO OTHER LICENSE, EXPRESS OR IMPLIED, BY ESTOPPEL OR OTHERWISE TO ANY OTHER SENSATA INTELLECTUAL PROPERTY RIGHT, AND NO LICENSE TO ANY THIRD PARTY TECHNOLOGY OR INTELLECTUAL PROPERTY RIGHT, IS GRANTED HEREIN. SENSATA DATA SHEETS ARE PROVIDED "AS IS". SENSATA MAKES NO WARRANTIES OR REPRESENTATIONS WITH REGARD TO THE DATA SHEETS OR USE OF THE DATA SHEETS, EXPRESS, IMPLIED OR STATUTORY, INCLUDING ACCURACY OR COMPLETENESS. SENSATA DISCLAIMS ANY WARRANTY OF TITLE AND ANY IMPLIED WARRANTIES OF MERCHANTABILITY, FITNESS FOR A PARTICULAR PURPOSE, QUIET ENJOYMENT, QUIET POSSESSION, AND NON-INFRINGEMENT OF ANY THIRD PARTY INTELLECTUAL PROPERTY RIGHTS WITH REGARD TO SENSATA DATA SHEETS OR USE THEREOF.

All products are sold subject to Sensata's terms and conditions of sale supplied at www.sensata.com SENSATA ASSUMES NO LIABILITY FOR APPLICATIONS ASSISTANCE OR THE DESIGN OF BUYERS' PRODUCTS. BUYER ACKNOWLEDGES AND AGREES THAT IT IS SOLELY RESPONSIBLE FOR COMPLIANCE WITH ALL LEGAL, REGULATORY AND SAFETY-RELATED REQUIREMENTS CONCERNING ITS PRODUCTS, AND ANY USE OF SENSATA COMPONENTS IN ITS APPLICATIONS, NOTWITHSTANDING ANY APPLICATIONS-RELATED INFORMATION OR SUPPORT THAT MAY BE PROVIDED BY SENSATA.

Mailing Address: Sensata Technologies, Inc., 529 Pleasant Street, Attleboro, MA 02703, USA.

CONTACT US

Americas

+1 (805) 684-8401
info@gigavac.com