



FEATURES

- > Designed for EV applications that require high continuous currents and/or high short circuit withstanding.
- > Smallest and lightest 600A contactor on market.
- > Hermetically Sealed – Designed to meet: UL1604 for Class I & II, Div 2 and Class III for use in hazardous locations, IP67 for temporary water immersion for 30 min, SAE J1171 - external ignition protection, and ISO8846 for protection against ignition around flammable gasses.
- > Stainless steel nuts and brass mounting inserts, for years of corrosion free service.
- > Not position sensitive – can be mounted in any position for ease of installation.

PRODUCT SPECIFICATIONS

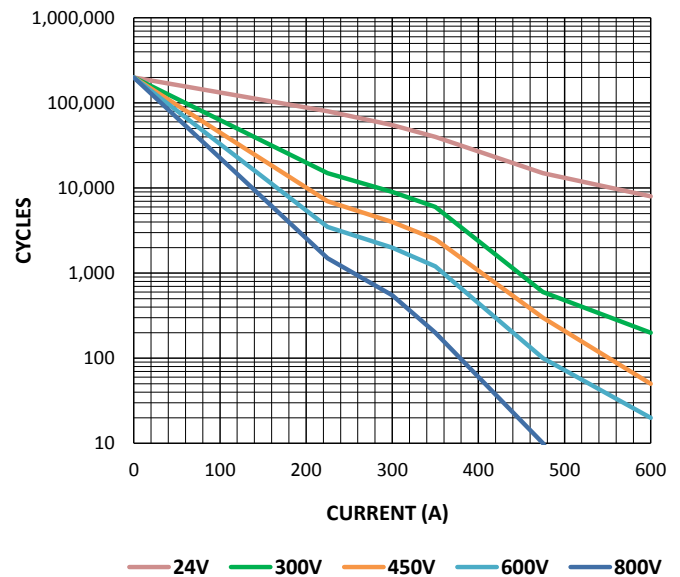
Specifications	Units	Data
Contact Arrangement (main)	Form X	SPST-NO
Mechanical Life	cycles	1,000,000
Contact Resistance		
Max @ rated carry current	mohms	.25
Typical @ rated carry current	mohms	.10 to .15
Operate time, 25°C		
Close (includes bounce) Max	ms	25
Close (includes bounce) Typical	ms	15
Release time (includes arc time at max. break current)	ms	7
Insulation Resistance¹	Mohms	100
Dielectric at sea level (leakage < 1mA)	VRMS	2,200
Shock (open), 1/2 sine 11msec	Gs	25
Shock (actuated)	Gs	60
Vibration, Sinusoidal (50-2000 Hz peak)	Gs	25
Operating ambient Temp Range²	°C	-55 to +100
Storage ambient Temp Range	°C	-70 to +150
Weight, typical without nuts and washers	Kg (Lb)	0.475 (1.05)
Short Circuit Current (20ms)	A	6000
Max Break Current		
400V	A	3000
800V	A	900

COIL RATINGS at 25°C

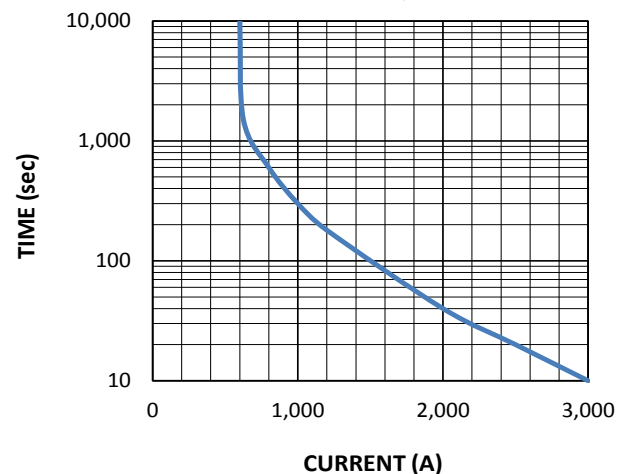
Coil P/N Designation	M	P ¹
Coil Voltage, Nominal	12/24 VDC	12/24 VDC
Coil Type	Internal PWM	External PWM ³
Pick-Up Voltage, Max	9.8 VDC	7.0 VDC
Drop-Out Voltage	7.0 VDC	2.0 VDC
Coil Resistance	4.2 ohms +/- 5%	4.2 ohms +/- 5%
Hold Voltage	N/A	3.6 - 4.7 VRMS
Inrush Time, Max	100 msec	100 msec

POWER SWITCHING AND CURRENT CARRY RATINGS

DC POWER SWITCHING CYCLES



CURRENT CARRY vs TIME with 85°C terminal temperature rise



DIMENSIONS



Coil Termination

JST Connector: 02CPT-B-2A
JST Terminal: SCPT-A021GF-0.5

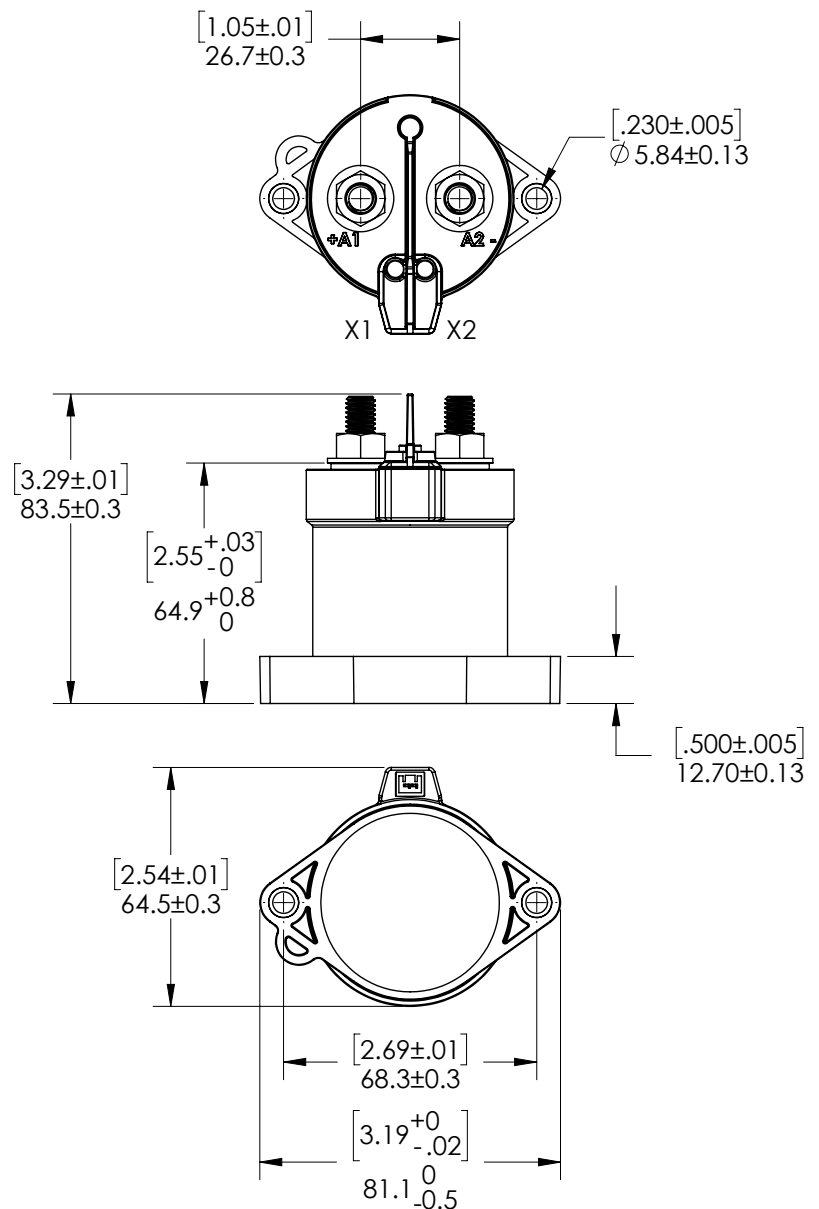
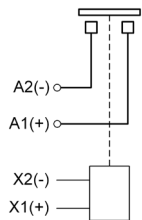
Mounting

M5 or No. 10 Screws
Torque 1.7-4 Nm [15-35 in-lb]

Power Connection

Stainless, nickel plated M8x1.25 stud
Stainless M8x1.25 flanged nut
Torque 10 Nm [90 in-lb] max

Power Contacts



PART NUMBER SYSTEM

GXV600	P		
Coil Voltage	M = 12/24 Vdc, Internal PWM		
	P = 12/24 Vdc, External PWM ³		
Coil Termination		JST Connector	
Auxiliary Contacts			None

Notes & Definitions:

- 1 50 Mohms after life.
- 2 Contactor can operate up to 125°C ambient in special cases - contact GIGAVAC for details. Limit terminal temperature to 175°C.
- 3 Customer must provide an external economizer that meets the Pick-up Current, Coil Current, and Pick-up Current Time. Contact GIGAVAC for information on external PWM.

APPLICATION NOTES

- [No external diodes](#) should be added across the coil.
- Power switching lifecycles are based on [current flow](#) from A1(+) to A2(-). For best breaking performance, the contactor should be installed so that current flows from A1(+) to A2(-). There are cases where the contactor will interrupt power in the opposite direction but please contact GIGAVAC to confirm suitability. Direction of current flow is not relevant during make or when flowing on closed contacts. For bi-directional contactors, please contact GIGAVAC.
- Applications with [capacitors](#) will require a pre-charge circuit.
- Electrical life rating is based on resistive load with 27µH maximum inductance in circuit. Because your application may be different, we suggest you test the contactor in your circuit to verify life is as required.
- End of life is defined as when the dielectric, insulation resistance or contact resistance exceeds the specifications listed.
- For automotive applications and quality requirements, please contact Sensata for consultation.

Datasheets provided by Sensata Technologies, Inc., its subsidiaries and/or affiliates (“Sensata”) are solely intended to assist third parties (“Buyers”) who are developing systems that incorporate Sensata products (also referred to herein as “components”). Buyer understands and agrees that Buyer remains responsible for using its independent analysis, valuation, and judgment in designing Buyer’s systems and products. Sensata datasheets have been created using standard laboratory conditions and engineering practices. Sensata has not conducted any testing other than that specifically described in the published documentation for a particular datasheet. Sensata may make corrections, enhancements, improvements, and other changes to its datasheets or components without notice.

Buyers are authorized to use Sensata datasheets with the Sensata component(s) identified in each particular datasheet. HOWEVER, NO OTHER LICENSE, EXPRESS OR IMPLIED, BY ESTOPPEL OR OTHERWISE TO ANY OTHER SENSATA INTELLECTUAL PROPERTY RIGHT, AND NO LICENSE TO ANY THIRD PARTY TECHNOLOGY OR INTELLECTUAL PROPERTY RIGHT, IS GRANTED HEREIN. SENSATA DATASHEETS ARE PROVIDED “AS IS”. SENSATA MAKES NO WARRANTIES OR REPRESENTATIONS WITH REGARD TO THE DATASHEETS OR USE OF THE DATASHEETS, EXPRESS, IMPLIED, OR STATUTORY, INCLUDING ACCURACY OR COMPLETENESS. SENSATA DISCLAIMS ANY WARRANTY OF TITLE AND ANY IMPLIED WARRANTIES OF MERCHANTABILITY, FITNESS FOR A PARTICULAR PURPOSE, QUIET ENJOYMENT, QUIET POSSESSION, AND NON-INFRINGEMENT OF ANY THIRD PARTY INTELLECTUAL PROPERTY RIGHTS WITH REGARD TO SENSATA DATASHEETS OR USE THEREOF.

All products are sold subject to Sensata’s terms and conditions of sale supplied at www.sensata.com. SENSATA ASSUMES NO LIABILITY FOR APPLICATIONS ASSISTANCE OR THE DESIGN OF BUYERS’ PRODUCTS. BUYER ACKNOWLEDGES AND AGREES THAT IT IS SOLELY RESPONSIBLE FOR COMPLIANCE WITH ALL LEGAL, REGULATORY, AND SAFETY-RELATED REQUIREMENTS CONCERNING ITS PRODUCTS, AND ANY USE OF SENSATA COMPONENTS IN ITS APPLICATIONS, NOTWITHSTANDING ANY APPLICATIONS-RELATED INFORMATION OR SUPPORT THAT MAY BE PROVIDED BY SENSATA.

Mailing Address: Sensata Technologies, Inc., 529 Pleasant Street, Attleboro, MA 02703, USA

CONTACT US

Regional head offices:

United States of America

Sensata Technologies

Attleboro, MA

Phone: 508-236-3800

E-mail: support@sensata.com

Netherlands

Sensata Technologies Holland B.V.

Hengelo

Phone: +31 74 357 8000

E-mail: support@sensata.com

China

Sensata Technologies China Co., Ltd.

Shanghai

Phone: +8621 2306 1500

E-mail: support@sensata.com

Copyright © 2023 Sensata Technologies, Inc.