

Feature:

- 25A motor rating
- Microminiature
- Transformational contact
- Single and dual relays available
- H (180°C) insulation Class
- 250 °C reflow soldering

Typical Application

- Central door lock, skylight control, automatic doors and Windows mirror adjustment, seat adjustment

Contact Data

Nominal switching capacity (res. load)	25A 14VDC (at 23°C)
Max. switching current	30A
Max. switching voltage	16VDC

Parameters Data

Contact material	Silver alloy
Dropping Voltage of Contacts	250mV Max (at 10A)
Operate time (at nominal volt.)	10msec.Max.
Release time (at nominal volt.)	10msec.Max.
Initial insulation resistance	100MΩ Min.(500VDC)
Initial dielectric strength	Between open contacts: 500VAC, 50/60Hz 1min.
	Between coil and contact: 500VAC, 50/60Hz 1min.
Vibration resistance	Functional 10 ~ 100Hz, 44.1m/s ²
	Destructive 10 ~ 500Hz, 44.1m/s ² 2h
Shock resistance	Functional 100m/s ² (pulse duration: 11ms)
	Destructive 1000m/s ² (pulse duration: 6ms)
Mechanical	1×10 ⁷ ops
Ambient temperature	-40°C to +110°C (no condensation)
Weight	Single type: Approx 3.5 g ; Dual type: Approx 6.5g

Coil Data (at 23°C)

Nominal voltage VDC	Rated current ±10%(mA)	Coil resistance ±10%(Ω)	Max. Allowable voltage VDC	Operate voltage (Max.)	Release voltage (Min.)	Coil power (W)
12	75	160	16	≤6.5	≥0.8	Approx 0.9
12	54.3	221	16	≤7.7	≥0.8	Approx 0.65
24	37.5	640	32	≤13	≥1.6	Approx 0.9

Contact Performance

Contact Voltage	Rating type		contact rating current(A)		Duty factor		Endurance (cycles)	Material	Test ambient temperature
			1C、1A		Markings	Breakings			
			NO	NC					
14VDC	Resistive Load	On	25	10	1	9	1×10 ⁵	AgSnO ₂	23°C
		Off	25	10					
	Motor Load	On	25	—	0.5	0.95	1×10 ⁵	AgSnO ₂	
		Off	25	—					

Ordering Information

SARI -S -1 12 D -M -XX

Special Parameter: Nil-Standard type,Letter or number-Special requirement

Contact Form : Nil-Form C, M - Form A

Coil Power:D-0.9W, H-0.65

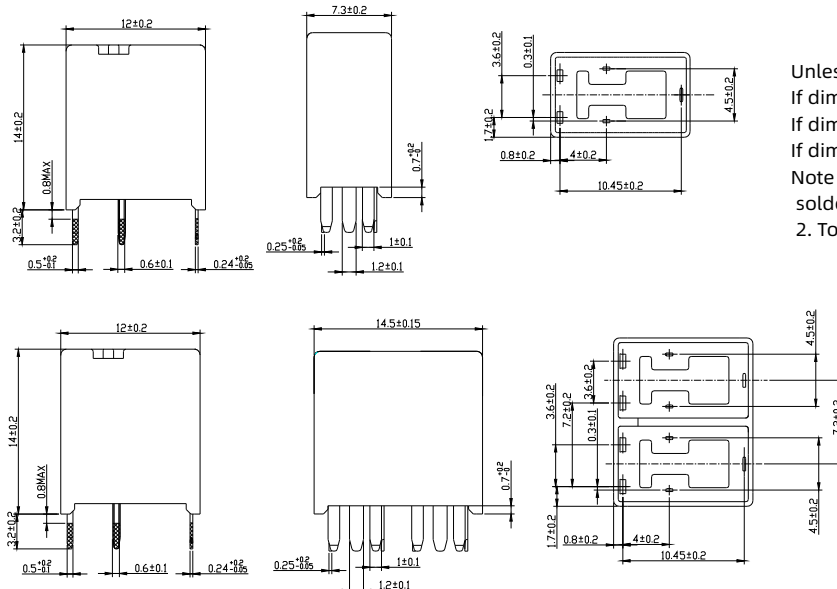
Coil Power(VDC): 12, 24

Number of Poles: 1-single relay 2-dual relay

Protective Construction: S-Flux proofed ;SH-sealed type washable

Type Designation:SARI

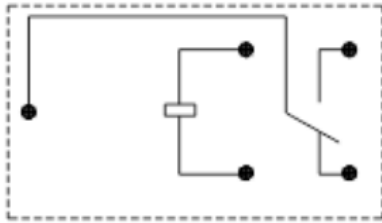
Outline Dimensions, Wiring Diagram, Mounting Holes (unit: mm)



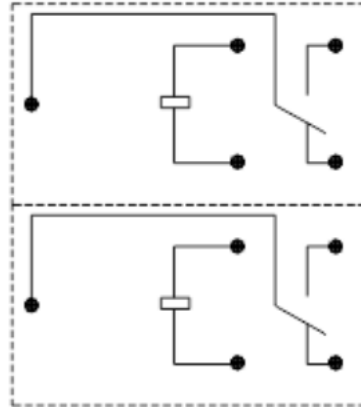
Unless otherwise specified:
 If dimension < 1mm, tolerance: ±0.2mm;
 If dimension 1~5mm, tolerance: ±0.3mm;
 If dimension > 5mm, tolerance: ±0.4mm.
 Note: 1. Extended terminal dimension is dimension before soldering.
 2. Tolerance of mountingholes: ±0.1mm.

Wiring Diagram (bottom view)

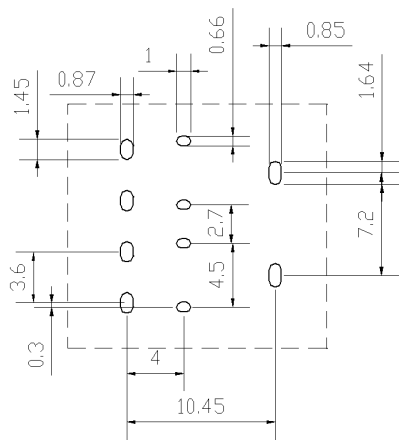
Single Relay



Dual Relay

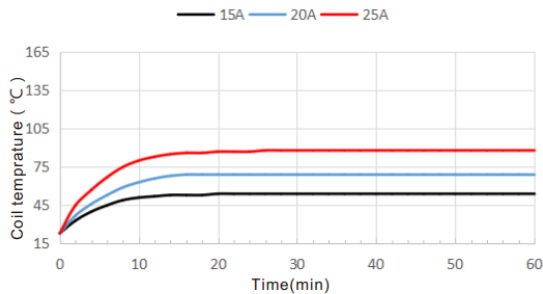


P.C.B. Layout (bottom view)

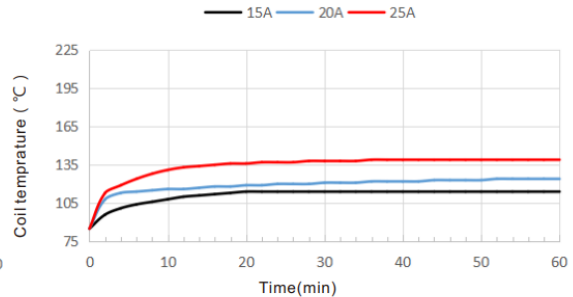


Characteristic Curves

Terminal temperature rise curve
Terminal temperature rise curve
Amount:3PCS
Coil voltage:12VDC
Load current:15A,20A,25A
Environment temperature:23°C



Terminal temperature rise curve
Terminal temperature rise curve
Amount:3PCS
Coil voltage:12VDC
Load current:15A,20A,25A
Environment temperature:85°C



Statement:

This product specification is for reference only, subject to change without prior notice. We could not evaluate all test conditions for every possible application, thus customers should be in a right position to choose suitable products for their own application. If in doubt, please contact Sanyou for more technical support. However, it's the customer's responsibility to determine which product should be used.